

Air-con Saver – Saving up to 40%



Work Principle

Air-con Saver applies fuzzy-logical technology to simulate human thermal comfort and enhance the refrigeration efficiency by optimizing the operation curve of compressor, as well as to control compressor to adjust cool air output and prevent the air over-cooled from over-using energy, and further to save the over-used energy.

Product Specification

- Model: ACS-II (suit for less than 3HP air-con)
- Supply source: 1Φ/230Vac
- Consumption: <4W
- Dimensions: 250 X 85 X 50 (LXWXH) mm³ (for two-unit package)
- Weight: 0,7Kg (for two-unit package)
- Model – ACS-III (suit for less than 5HP air-con); ACS-IV (suit for less than 10HP air-con)

Product Features

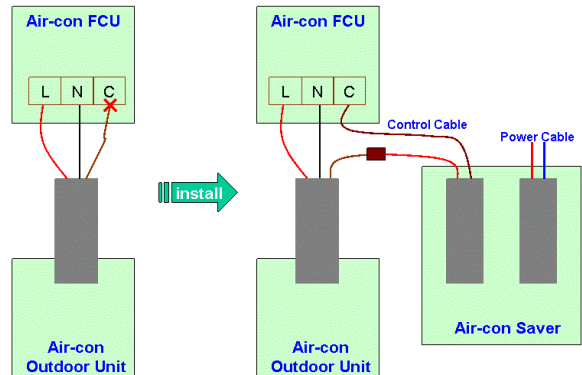
- Aluminum housing in natural finish – prevent oxidation
- Integrated high speed controller
- Wide voltage range: 190Vac to 240Vac
- Nominal frequency: 50Hz/60Hz
- Low power consumption: ≤6W (for ACS-II/III)
- Three grades of saving (20%, 25% and 30%) for different working conditions
- Saving indicator
- Safe bypass

Product Application

It can be directly wired into non-inverter air-con control circuit and get saving immediately. It can be applied to any branded non-inverter air-con that is used in:-

- School
- Hotel
- Office
- And more
- Factory
- Super-market
- Home

Easy Installation



- Step 1: Turn off power for the air-con
- Step 2: Disconnect the control cable and wire Air-con Saver control wire with air-con control circuit in series
- Step 3: Connect Air-con Saver power cable to power supply
- Step 4: Power on Air-con Saver and Air-con, Saving in progress.

Saving Testing Result

Energy Saving Verification									
Client: CPG Facilities management Pte Ltd Address: 30 Bedok North Road, Bedok Police Divisional HQ				Contact Person: Mr. Azrin / Mr. Edward Tan			+65 97875478		
Equipment Name: Panasonic Split air-con				Equipment Location: Server Room, Level 2			Motor Specs:		
Project: Air-con Saver for Split unit				Energy Saving Solution(s): Air-con Saver - ACS-II			Instrument: Fluke 1735 Power Logger (Model)		
Before Energy Saving Solution Applied									
Data Collect time		Real Power		Power Factor			Reactive Power		
Date	Time	Meter Reading	Usage	Meter Reading	Average	Remarks	Meter Reading	Usage	Remarks
24/04/08	12:24:26	824136	59044	46.605	NA	Autonomy		NA	
After Energy Saving Solution Applied									
Data Collect time		Real Power		Power Factor			Reactive Power		
Date	Time	Meter Reading	Usage	Meter Reading	Average	Remarks	Meter Reading	Usage	Remarks
23/04/08	12:53:04	601367	36165	36.0165	NA	Sunny		NA	
Project Saving:		Real Power		Power Factor			Reactive Power		
S = (01-02)01 x 100%		22.72%		10.58737kwh					
Recorded and reported by: Wynn Chen				Witnessed and accepted by: Mr. Azrin					
Name: Wynn Chen				Name: Azrin					
Signature: [Signature]				Signature: [Signature]					
Date: 25/04/08				Date: 25/04/08					
AEIC Solutions				Client: CPG Facilities management Pte Ltd			M/S: Bedok Police Divisional HQ		

Contacts for Sales and Services

Hotline: +65 82232259
eMail: aeics@aeics.com

